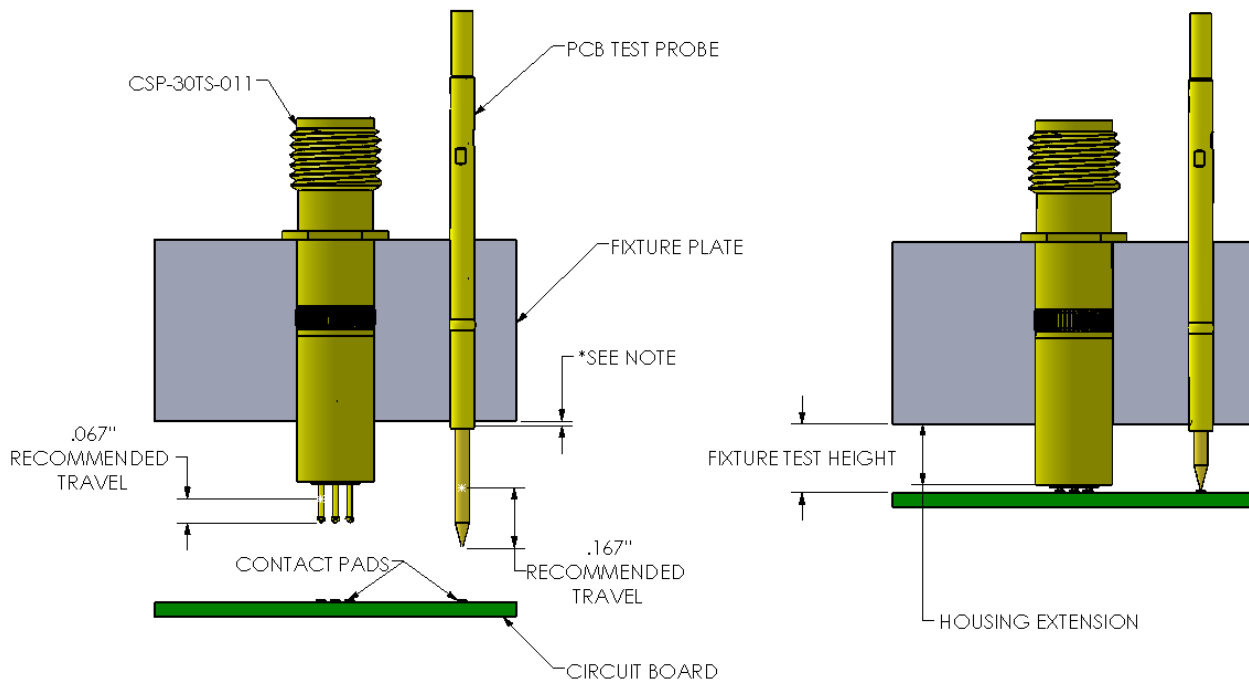


CSP-30TS-011 Mounting Instructions:

Rev NR

1. The CSP-30TS-011 SMA Connector Probe can be mounted into a G10 sheet fixture plate .250" or larger thickness.
2. The recommended mounting hole size for the CSP-30TS-011 is .213" or #3 hole.
3. The CSP-30TS-011 is press fit into the mounting hole with the housing extension equal to:
HOUSING EXTENSION = FIXTURE TEST HEIGHT - .015"



4. The 7/32" or 1/4" wrench flats may be used to connect the SMA interface cable

NOTE: CSP-30TS-011 coaxial probes are compatible with other ECT PCB test probes such as POGO and LFRE. Mount probes so that both CSP-30 and PCB test probes reach recommended travel at the target fixture deflection.