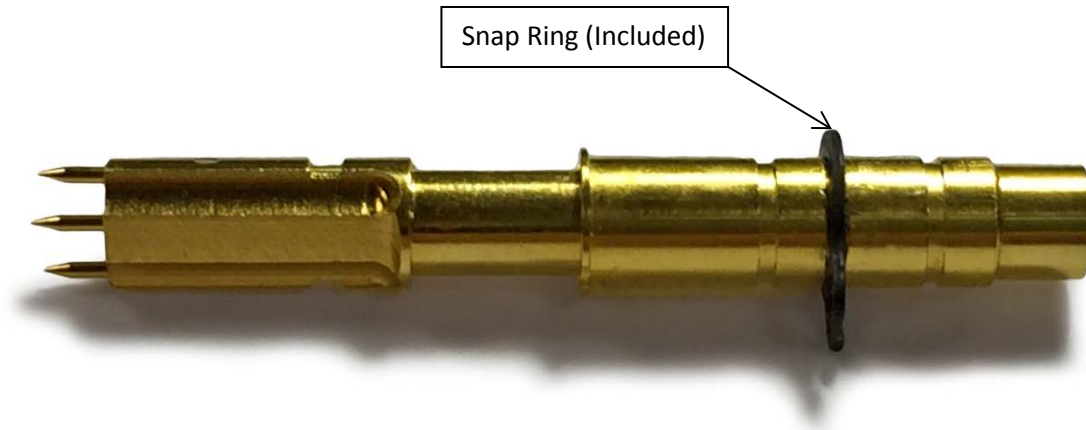


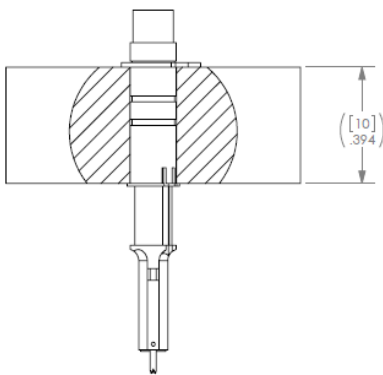
CSP-40X-XXX Mounting Instructions

Rev N/R

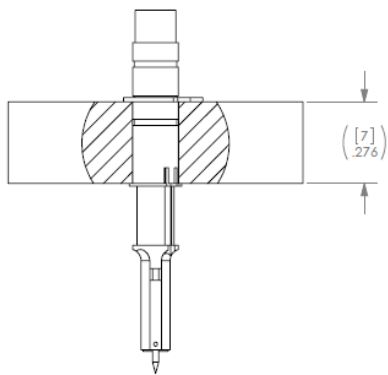
- 1) The CSP-40X Can be mounted in three different fixture thicknesses:
 - a. 5mm (right)
 - b. 7mm (middle)
 - c. 10mm (left)
- 2) A snap ring (McMaster P/N: 98541A112) is included with the CSP-40 assembly as shown below:



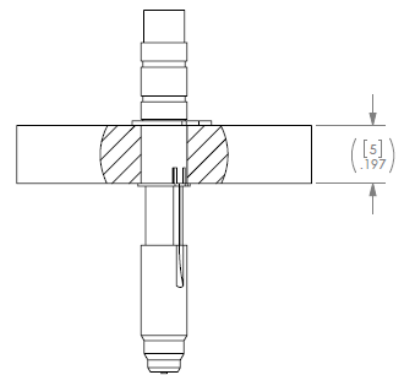
- 3) Drill THRU hole with a diameter of 4mm into test fixture
- 4) Insert CSP-40 tip side down as shown, into test fixture with desired thickness (5, 7, 10mm)
- 5) Slip snap ring over back end of CSP-40 using a pair of pliers (McMaster P/N: 58225A3)
- 6) Snap ring will sit in one of three grooves on outer housing as shown below



10mm - CSP-40L-013



7mm - CSP-40B-012



5mm - CSP-40A-015