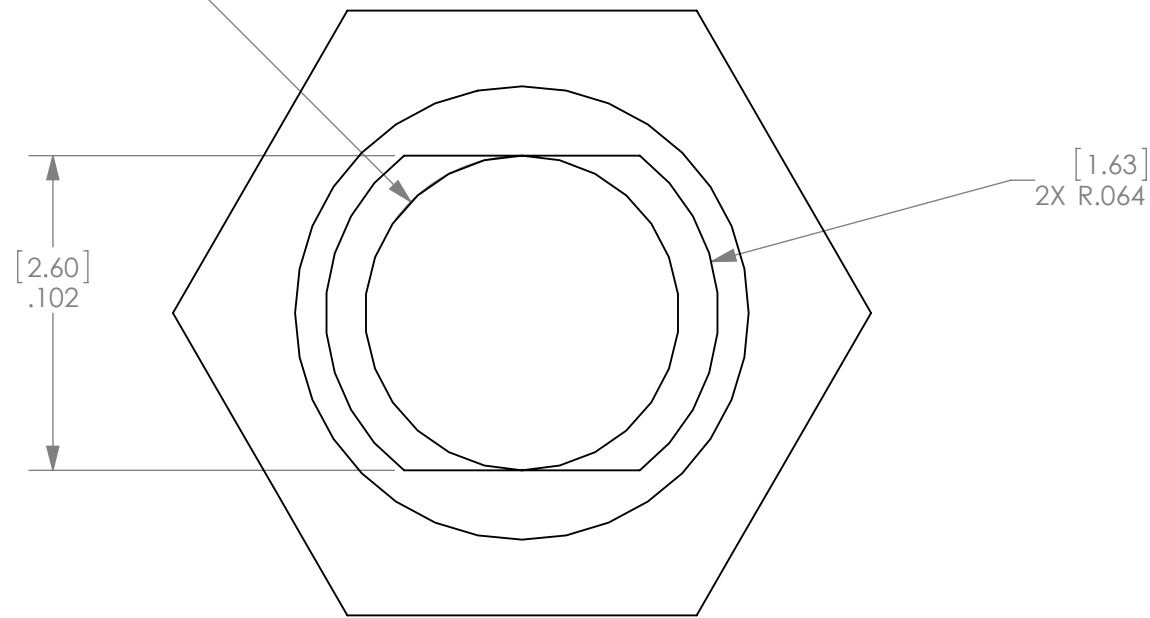


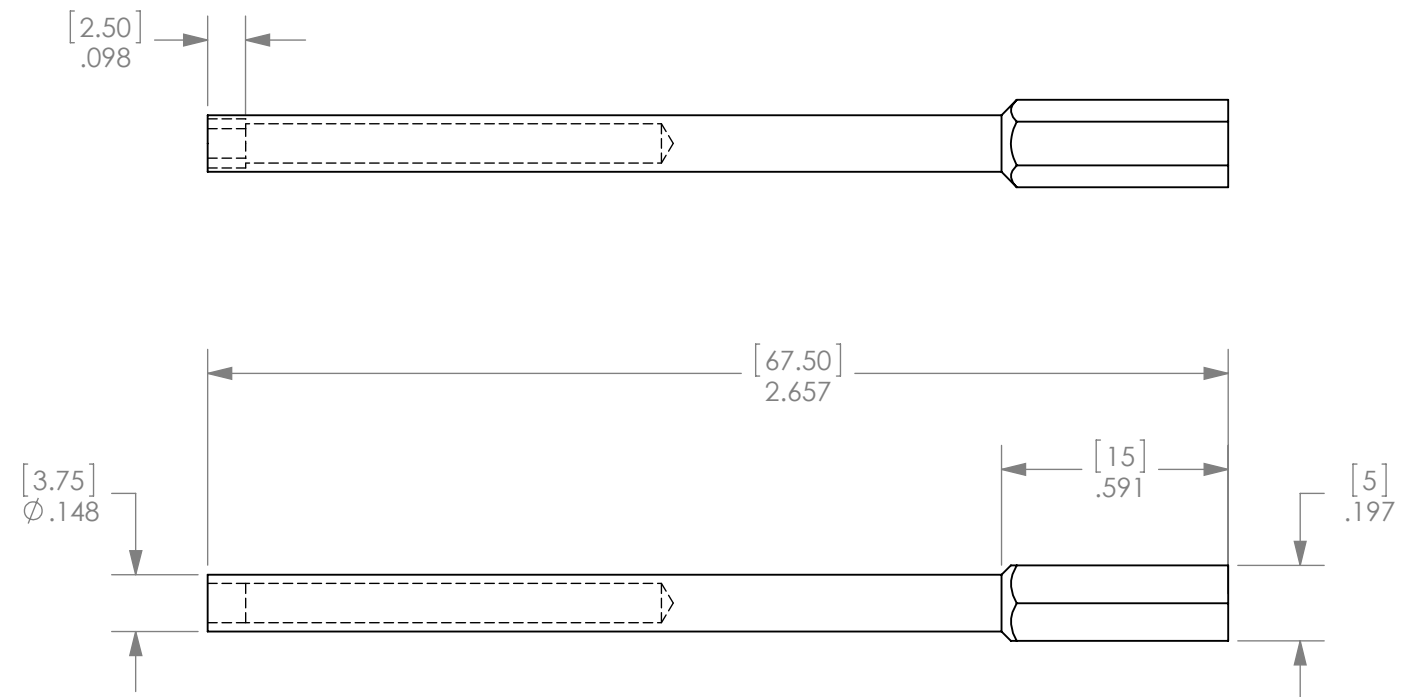
part no. BIT-138	MODEL NO.	QUOTE REF.
	ASSY NO	REF. NUMB.

REV.	DESCRIPTION	DATE	APP	STAT
------	-------------	------	-----	------

Ø .102[2.60] ∇ 1.181[30]



DETAIL A
SCALE 16 : 1



UNLESS OTHERWISE SPECIFIED,
DIMENSIONS ARE IN INCHES.
TOLERANCES ARE:
.X = +/- .06 ANGLES = +/- 2°
.XX = +/- .03
.XXX = +/- .005
.XXXX = +/- .0005
TAPER ON ANY DIA. .002/IN MAX
ALL CORNER RADII .002 MAX

TITLE	signature	date
dr	A. DALAGER	5/10/2017
chk		
app		
rel	ECO6317-085	



EVERETT CHARLES
TECHNOLOGIES

title
THREADED PROBE INSERTION TOOL

SCALE 2:1	DO NOT SCALE DRAWING	SHEET 1 OF 1	cage code 8T332	SIZE B	part no BIT-138	rev N/R
-----------	-------------------------	--------------	--------------------	------------------	--------------------	------------

NOTES: UNLESS OTHERWISE SPECIFIED:
ALL DIMENSIONS APPLY TO THE PREPLATE CONDITION.
PART TO BE FREE OF BURRS AND DEEP SCRATCHES.

STATUS CODES
R = REPLACE - OK TO BUILD TO PREVIOUS REV. S = SCRAP - MUST BE BUILT TO THE CURRENT REV. X = SPECIAL DISPOSITION - SEE ECO

THE INFORMATION CONTAINED IN THIS DOCUMENT IS PROPRIETARY TO EVERETT CHARLES TECHNOLOGIES. THE INFORMATION CONTAINED IN THIS DOCUMENT IS NOT TO BE SHOWN, REPRODUCED, OR DISCLOSED TO ANYONE OUTSIDE OF EVERETT CHARLES TECHNOLOGIES WITHOUT THE PRIOR WRITTEN PERMISSION OF EVERETT CHARLES TECHNOLOGIES.