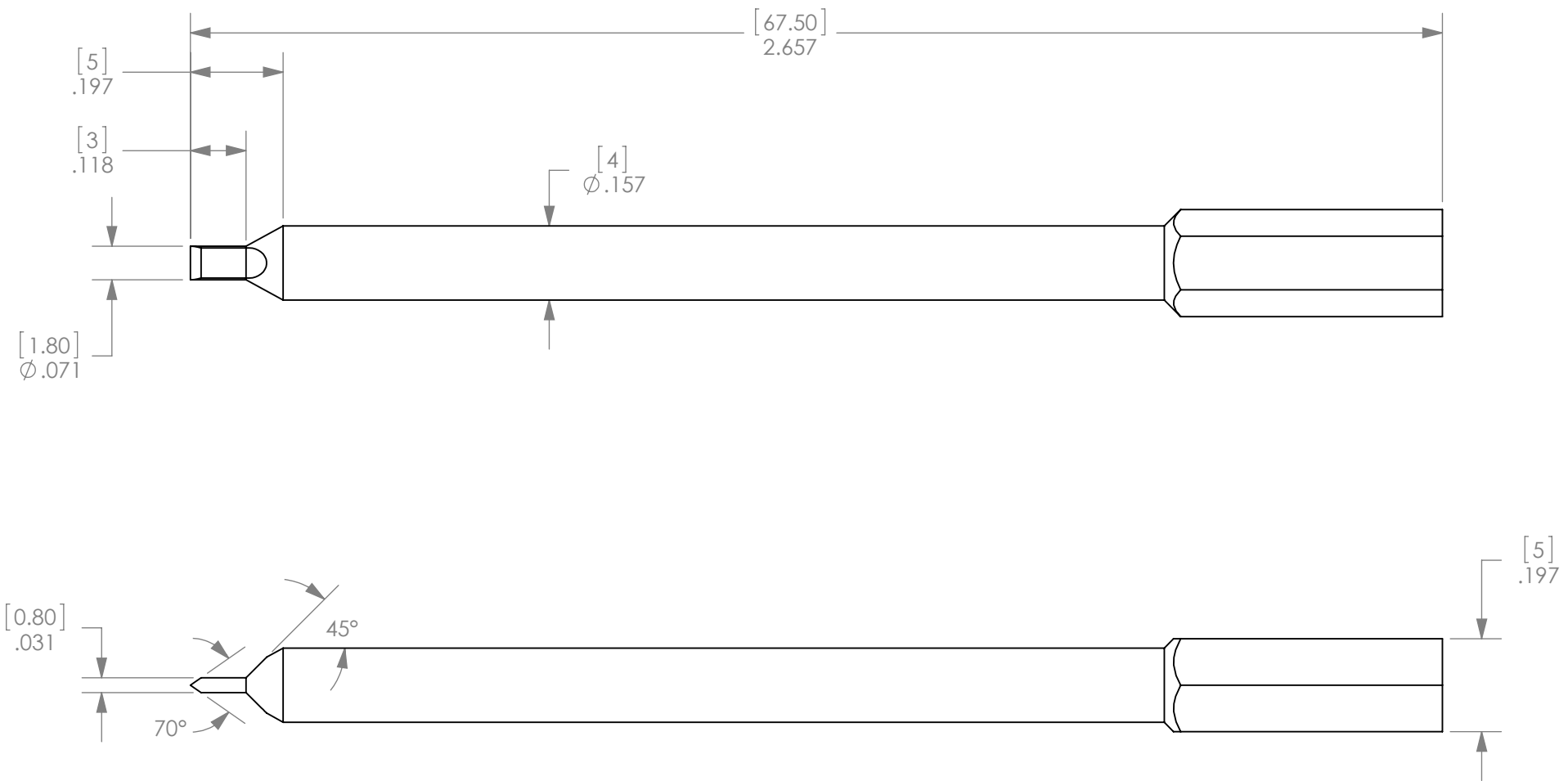



part no. BIT-138H	MODEL NO.	QUOTE REF.	REV.	DESCRIPTION	DATE	APP	STAT
	ASSY NO	REF. NUMB.					



UNLESS OTHERWISE SPECIFIED, DIMENSIONS ARE IN INCHES. TOLERANCES ARE: .X = +/- .06 ANGLES = +/- 2° .XX = +/- .03 .XXX = +/- .005 .XXXX = +/- .0005 TAPER ON ANY DIA. .002/IN MAX ALL CORNER RADII .002 MAX	TITLE	signature	date	 <b>EVERETT CHARLES TECHNOLOGIES</b>		
	dr	A. DALAGER	5/10/2017			
	chk					
	app					
	rel	ECO6317-085		title <b>THREADED PROBE INSERTION TOOL</b>		
SCALE 3:1	DO NOT SCALE DRAWING	SHEET 1 OF 1	cage code <b>8T332</b>	SIZE <b>B</b>	part no. <b>BIT-138H</b>	rev <b>N/R</b>

**NOTES:** UNLESS OTHERWISE SPECIFIED:  
 ALL DIMENSIONS APPLY TO THE PREPLATE CONDITION.  
 PART TO BE FREE OF BURRS AND DEEP SCRATCHES.

STATUS CODES
R = REPLACE - OK TO BUILD TO PREVIOUS REV. S = SCRAP - MUST BE BUILT TO THE CURRENT REV. X = SPECIAL DISPOSITION - SEE ECO

THE INFORMATION CONTAINED IN THIS DOCUMENT IS PROPRIETARY TO EVERETT CHARLES TECHNOLOGIES. THE INFORMATION CONTAINED IN THIS DOCUMENT IS NOT TO BE SHOWN, REPRODUCED, OR DISCLOSED TO ANYONE OUTSIDE OF EVERETT CHARLES TECHNOLOGIES WITHOUT THE PRIOR WRITTEN PERMISSION OF EVERETT CHARLES TECHNOLOGIES.