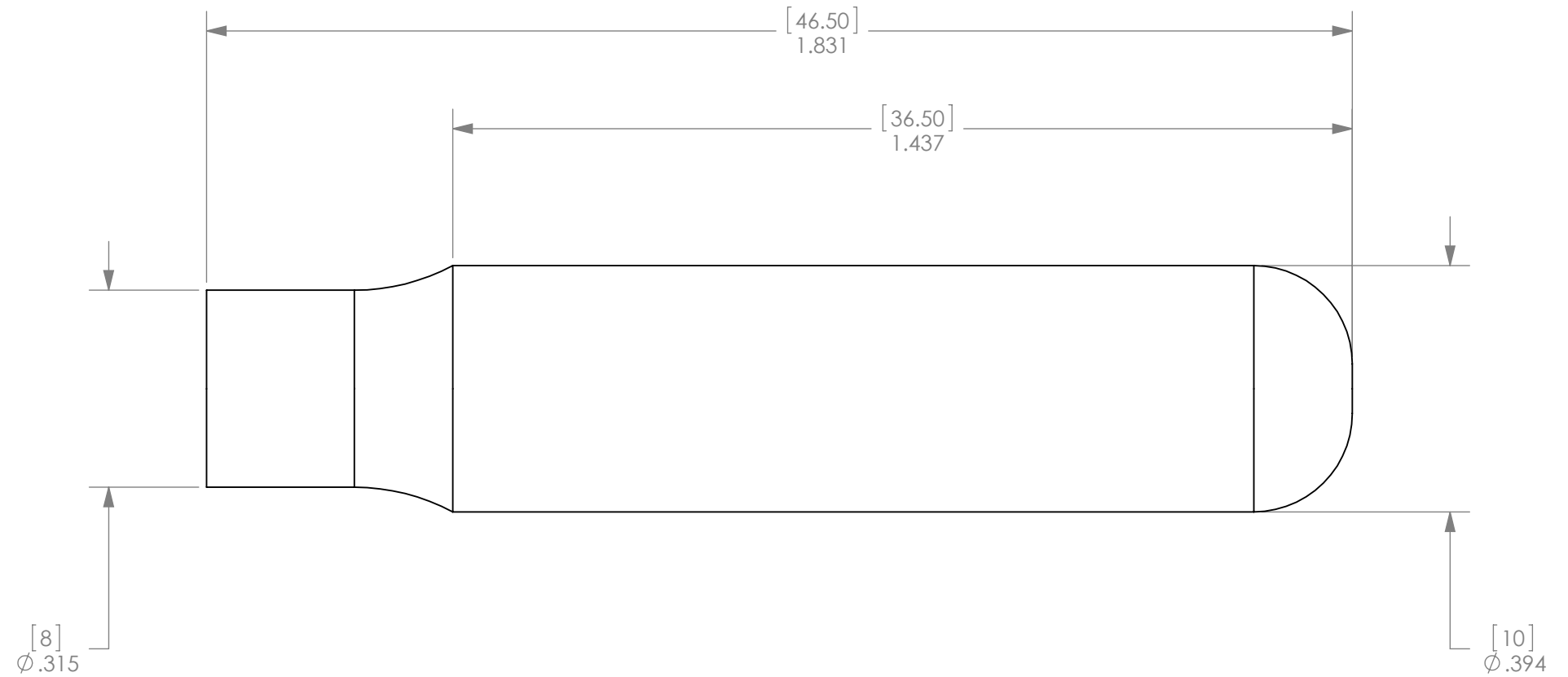
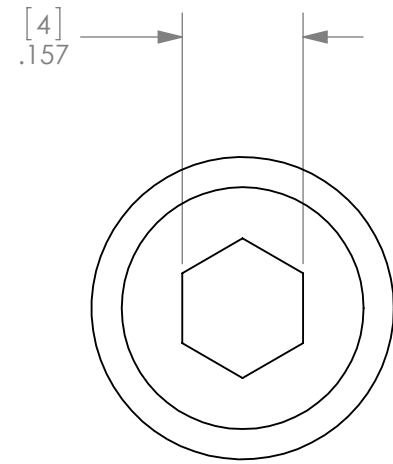



part no. PIT-HND-4	MODEL NO.	QUOTE REF.
	ASSY NO	REF. NUMB.

REV.	DESCRIPTION	DATE	APP	STAT
------	-------------	------	-----	------



UNLESS OTHERWISE SPECIFIED, DIMENSIONS ARE IN INCHES. TOLERANCES ARE: .X = +/- .06 ANGLES = +/- 2° .XX = +/- .03 .XXX = +/- .005 .XXXX = +/- .0005 TAPER ON ANY DIA. .002/IN MAX ALL CORNER RADII .002 MAX	TITLE	signature	date	 EVERETT CHARLES TECHNOLOGIES		
	dr	A. DALAGER	5/12/2017			
	chk					
	app					
	rel	ECO6317-085		title		
				HANDLE		
SCALE 4:1	DO NOT SCALE DRAWING	SHEET 1 OF 1	cage code 8T332	SIZE B	part no PIT-HND-4	rev N/R

NOTES: UNLESS OTHERWISE SPECIFIED:
 ALL DIMENSIONS APPLY TO THE PREPLATE CONDITION.
 PART TO BE FREE OF BURRS AND DEEP SCRATCHES.

STATUS CODES
R = REPLACE - OK TO BUILD TO PREVIOUS REV. S = SCRAP - MUST BE BUILT TO THE CURRENT REV. X = SPECIAL DISPOSITION - SEE ECO

THE INFORMATION CONTAINED IN THIS DOCUMENT IS PROPRIETARY TO EVERETT CHARLES TECHNOLOGIES. THE INFORMATION CONTAINED IN THIS DOCUMENT IS NOT TO BE SHOWN, REPRODUCED, OR DISCLOSED TO ANYONE OUTSIDE OF EVERETT CHARLES TECHNOLOGIES WITHOUT THE PRIOR WRITTEN PERMISSION OF EVERETT CHARLES TECHNOLOGIES.