

Mounting Instructions

The CSP-40X can be mounted in a 10mm, 7mm or 5mm plate with a snap ring. Alternatively, CSP-40X probes can be installed in receptacle CR-40-1.

A snap ring (McMaster P/N: 98541A112) is included with the CSP-40 assembly, as shown below:

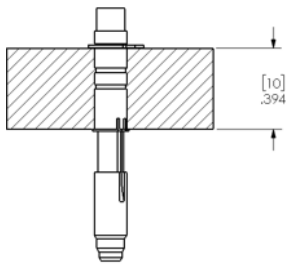


Installation using Snap ring:

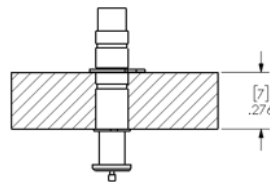
1. Drill THRU hole with a diameter of 4 mm into test fixture
2. Insert CSP-40 tip side down as shown, into test fixture with desired thickness (5, 7, 10 mm)
3. Slip snap ring over back end of CSP-40 using a pair of pliers (McMaster P/N: 58225A3)
4. Snap ring will sit in one of the three grooves on outer housing as shown below

Installation using Snap CR-40-1:

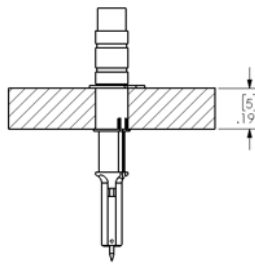
1. Drill THRU hole with a diameter of 4.76mm
2. Insert CR-40-1 receptacle into test fixture
3. Push CSP RF Probe into CR-40-1 receptacle
4. To remove the CSP probe, it is important to push the probe out from the backside



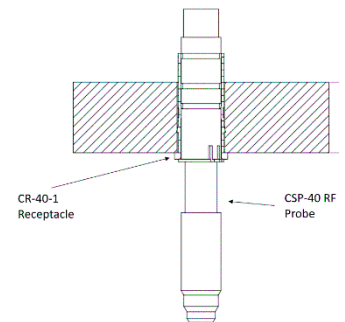
10mm Thickness



7mm Thickness



5mm Thickness



All information contained in this document is furnished for the sole purpose of identifying and suggesting the nature of the product and does not warrant the nature or quality of the product.